

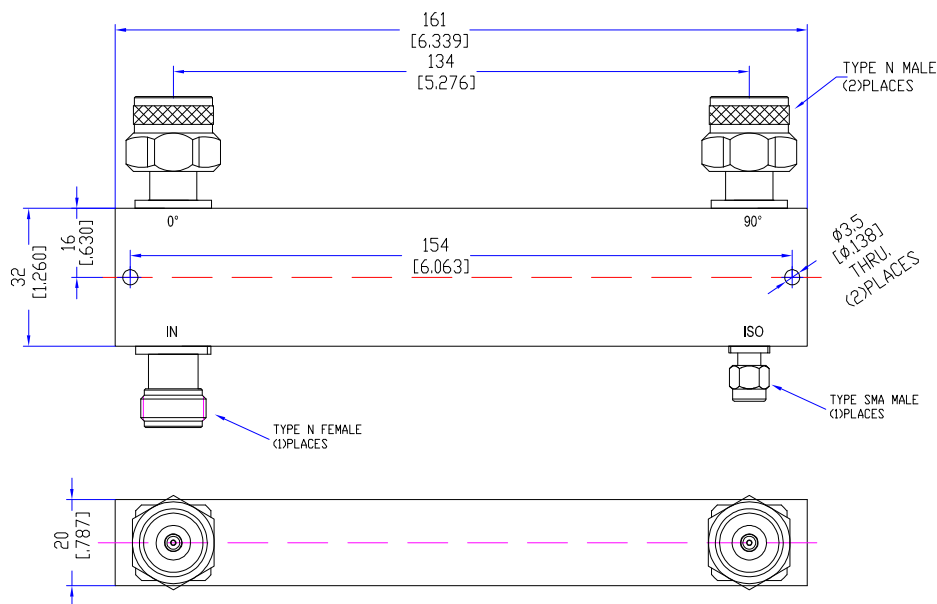
Model THC1860NMA

Features

- Excellent phase & amplitude balance
- Low Insertion Loss & VSWR
- High Isolation

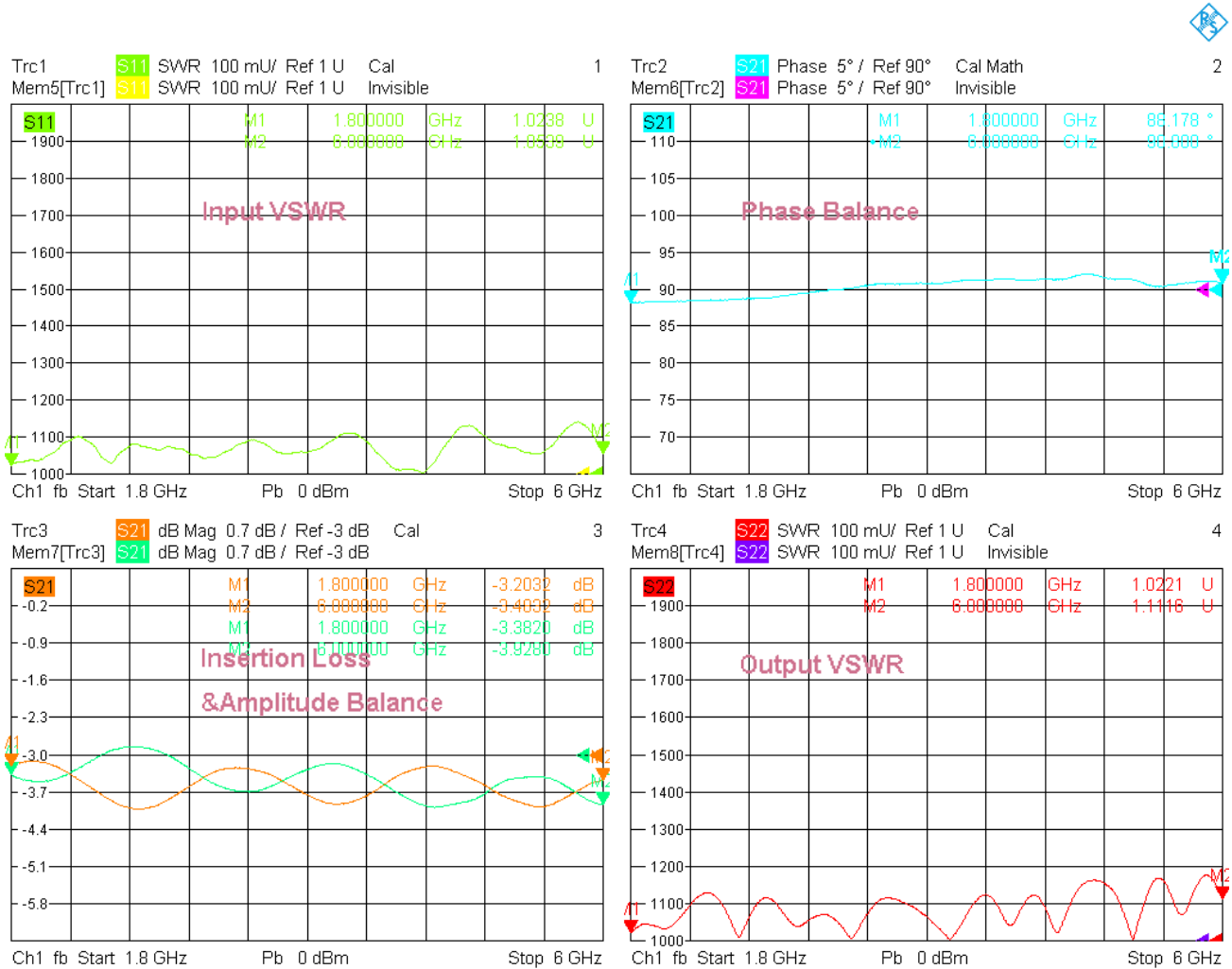
Technical Data Sheet			
Frequency Range	1.8~6GHz	Finish	Painted Blue_ RAL #5007
Nominal Split	3.01dB	Connector Body	Passivated Stainless Steel
Insertion Loss	≤0.9dB	Housing	Aluminum, 6061 T6
Isolation	≥18dB		Clear Chem Conversion Film
Amplitude Balance	≤±0.7dB	Connector Pin	Beryllium Copper, Gold Plate
Phase Balance	≤±5°	Solder	Lead Free, RoHS Compliant
VSWR	≤1.30:1	Operating Temperature	-55~+85°C
¹ Power Handling	Average ≤50Watt Peak ≤1KW	Operating Humidity	Up to 95%, Non-Condensing
Impedance	50Ω	Weight	350g
Port Connectors	Input: N-Female Output: N-Male Isolation: SMA-Male		

¹Power Handling guaranteed when load's VSWR within 1.50:1.



Typical Performance

1. Insertion Loss, Amplitude/ Phase Balance, VSWR

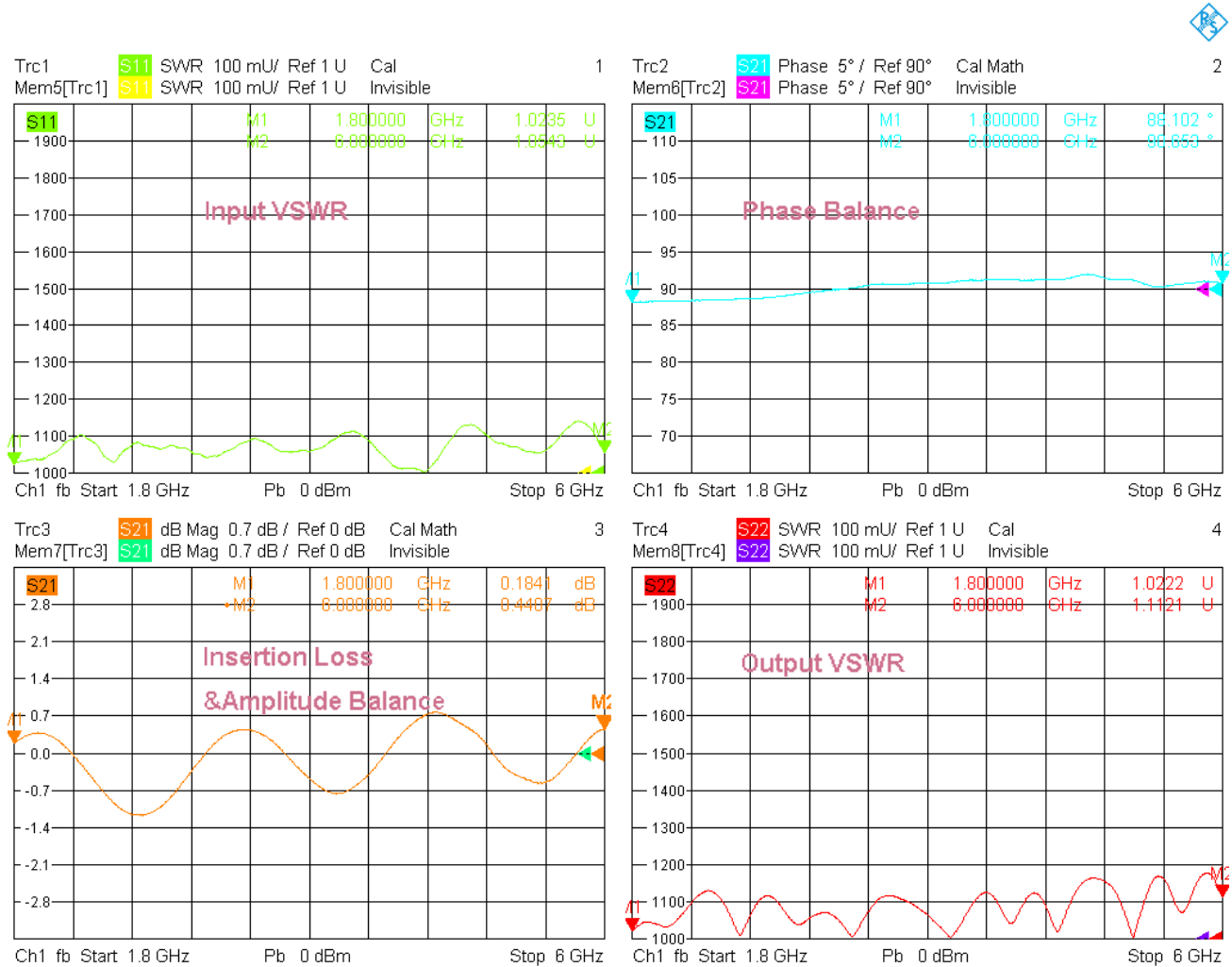


11/10/2021, 9:53 AM



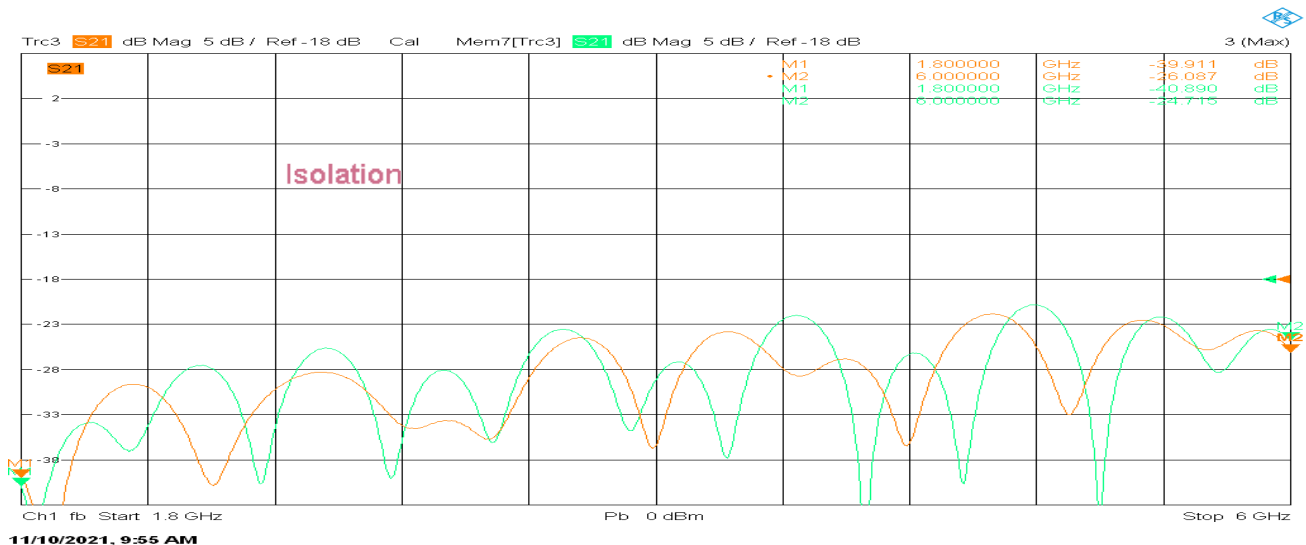
Typical Performance

2. Insertion Loss, Amplitude/ Phase Balance, VSWR



11/10/2021, 9:53 AM

3. Isolation



11/10/2021, 9:55 AM

